

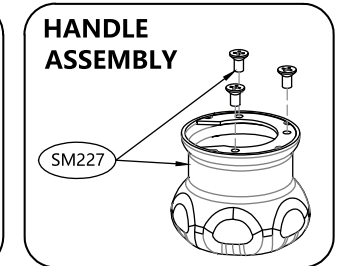
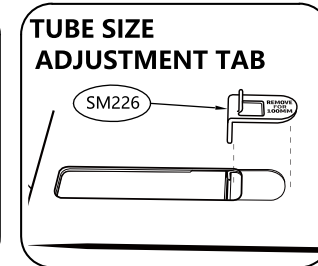
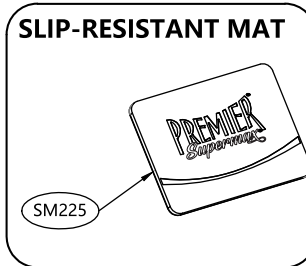
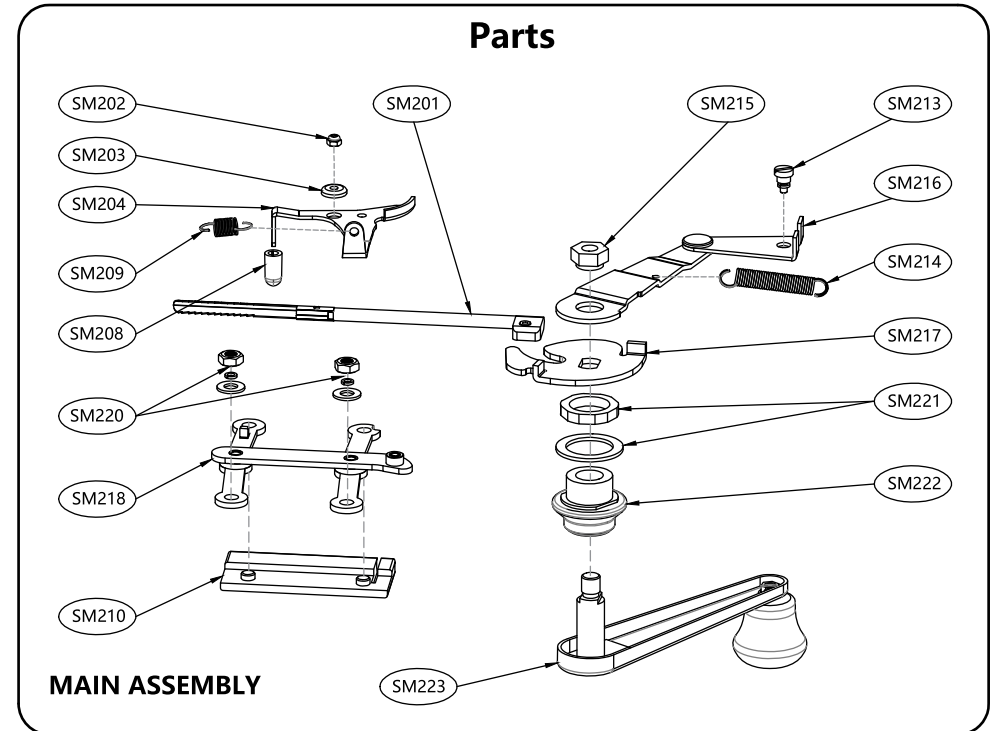


PARTS PRICE LIST

Order Form

PREMIER® SUPERMAX™ PARTS LIST

Qty	Part Description	Part No.	Price	Amount
	injector	SM201	US\$ 3.00	
	insert nut	SM202	US\$.30	
	small washer	SM203	US\$.20	
	tube clamp release	SM204	US\$ 1.00	
	rubber cover	SM208	US\$.20	
	short spring	SM209	US\$.40	
	tamper	SM210	US\$ 8.20	
	flathead screw	SM213	US\$.35	
	long spring	SM214	US\$.60	
	1/4" nut	SM215	US\$.60	
	injector level assembly	SM216	US\$ 3.00	
	cam	SM217	US\$ 1.80	
	link assembly	SM218	US\$ 2.40	
	screw and washer set	SM220	US\$.40	
	lock nut and large washer	SM221	US\$.60	
	shaft bushing	SM222	US\$.95	
	crank handle assembly	SM223	US\$ 6.00	
	slip-resistant mat	SM225	US\$ 5.00	
	tube size adjustment tab	SM226	US\$ 1.00	
	knob handle (black)	SM227	US\$ 6.00	
	subtotal			



Replacement parts for the Supermax™ may become unavailable if Republic Brands chooses, at its sole discretion, to discontinue its inventory of such parts. Republic Brands is under no obligation to keep and maintain an inventory of replacement parts available for the Supermax™. Product must be registered for repair and service agreement to be valid.

See Reverse Side for Payment Details



PARTS PRICE LIST

Order Form

YOU MUST INCLUDE PROOF OF AGE
(COPY OF VALID DRIVER'S LICENSE/LEGAL ID)
WITH THIS FORM!

SHIPPING ADDRESS - PLEASE PRINT:

NOTE - WE CANNOT SHIP TO A P.O. BOX - PLEASE, NO P.O.s

First Name

Last Name

Address

Address (cont.)

Apt./Unit#

City

State

Zip

Phone Number

Email

Please include **US\$7.50** for **Shipping and Handling**.

Please send your parts order and payment, along with a copy of a valid driver's license/legal id (**must show proof of age of 21 years or older**), to the following:

SUPERMAX™ REPAIR SERVICE CENTER

Republic Brands

2301 Ravine Way, Glenview, IL 60025

T: (855) RYO-HELP (796-4357) **F:** (847) 832-0246

E-mail: supermax@ryoservice.com **Web:** www.ryoservice.com

SIGN HERE

Order Date: / /
month day year

Subtotal (from reverse side)

Applicable Sales Tax (for IL residents only)

Shipping and Handling

US \$7.50

TOTAL

We accept the following payment types:

Check/Money Order



Please make check/money order payable to **Republic Brands**

Name

(as it appears on card)

Card Number #:

Exp. Date:

 /

Security Code:

Billing Address: same as shipping address

Address

Apt./Unit#

City

State

Zip

Signature: _____

 / /

month

day

year

See Reverse Side for Parts List